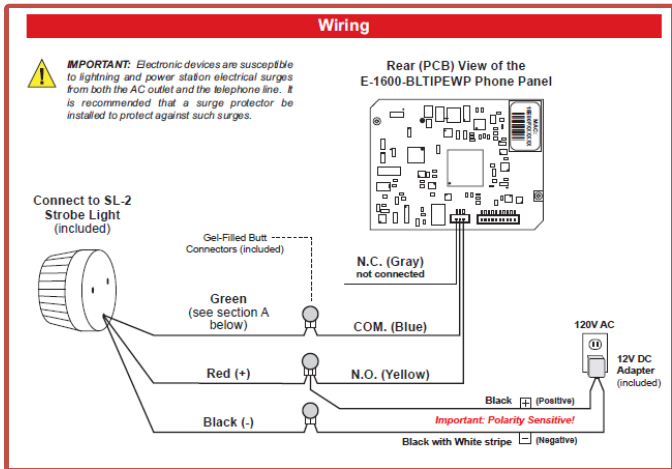
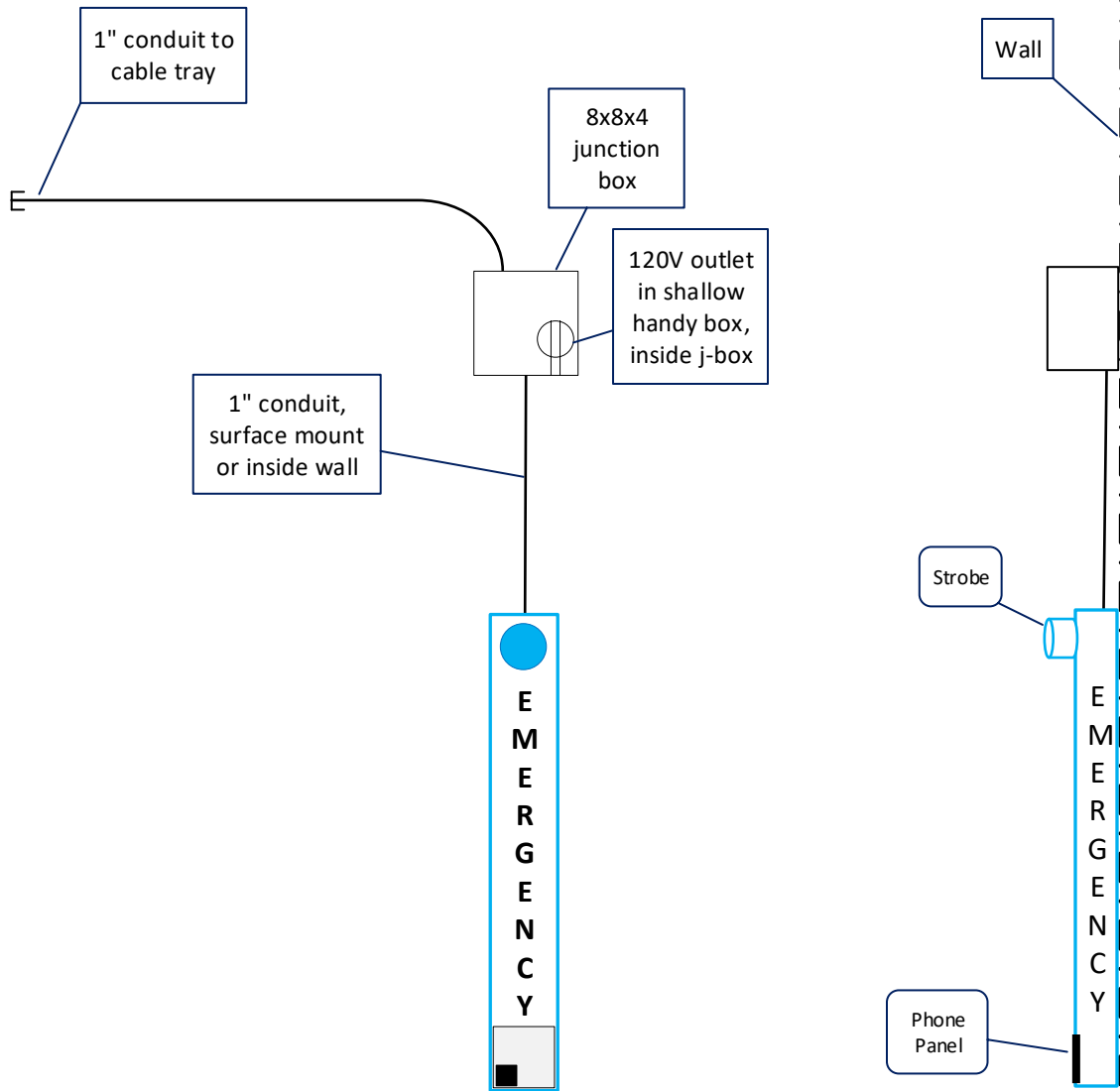


EMERGENCY TOWER PHONE DETAIL (Solid wall or no accessible ceiling)

Front View

Side View



Note:

Emergency phone DC Adaptor has a 6 ft. cord. Cord is to extend a minimum of 1 ft. from phone panel opening